

**TVS**  
***FLAME***  
**PARTS CATALOGUE**



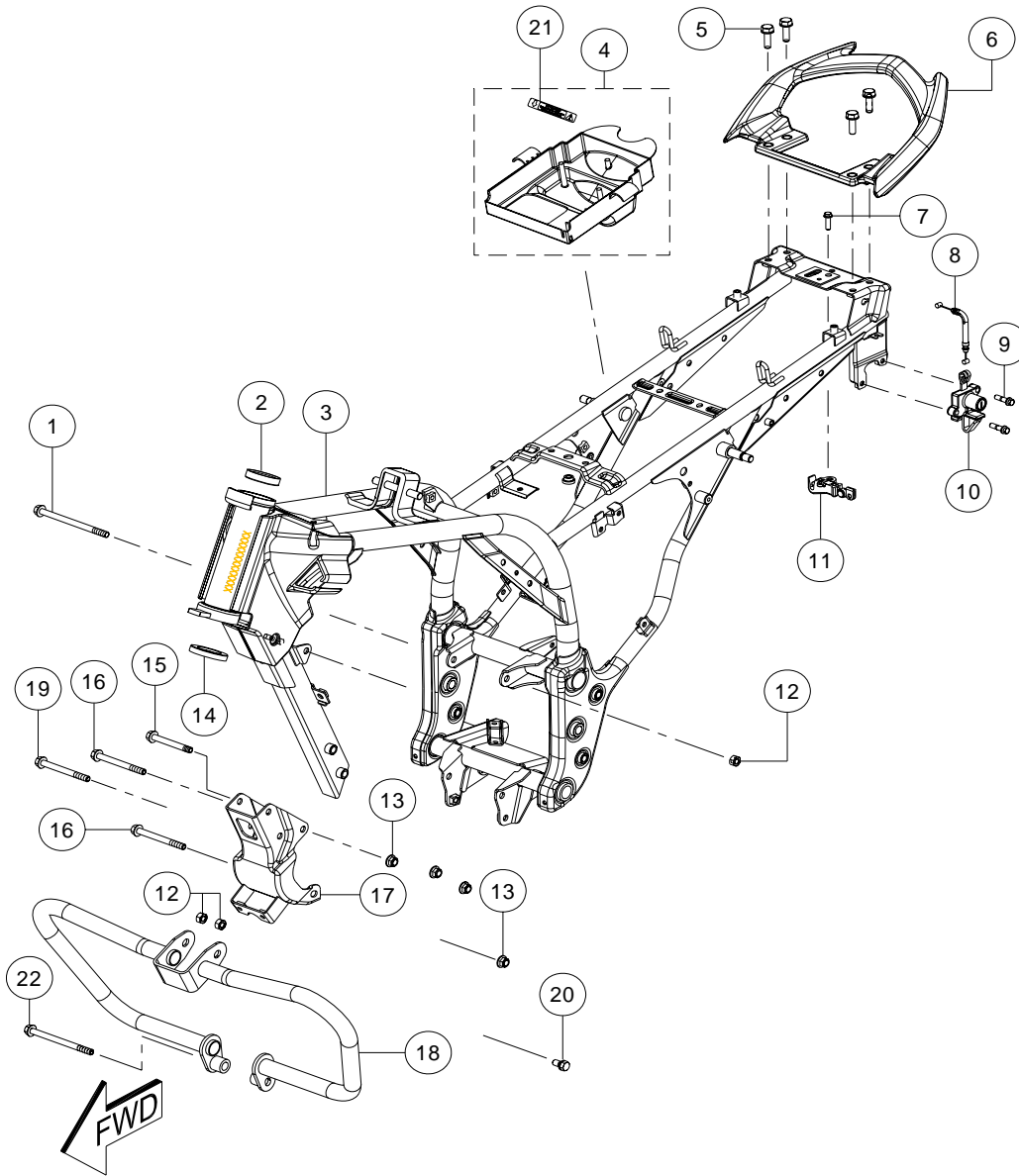
**TVS MOTOR COMPANY**

## ASSEMBLY INDEX

- |    |                                   |     |                              |
|----|-----------------------------------|-----|------------------------------|
| 1  | CYLINDER HEAD ASSEMBLY            | 25  | UNDER BRACKET ASSEMBLY       |
| 2  | CAMSHAFT ASSEMBLY                 | 26  | FRONT FORK ASSEMBLY          |
| 3  | CYLINDER BLOCK & PISTON ASSY.     | 27  | FRONT WHEEL ASSY. (DRUM)     |
| 4  | CRANKCASE ASSEMBLY                | 27A | FRONT WHEEL ASSY. (DISC)     |
| 5  | COVER CLUTCH ASSEMBLY             | 28  | REAR WHEEL ASSEMBLY.         |
| 6  | CLUTCH ASSEMBLY                   | 29  | WIRING HARNESS ASSEMBLY      |
| 7  | GEAR SHIFT ASSEMBLY               | 30  | TAIL LAMP ASSEMBLY           |
| 8  | MAGNETO ASSEMBLY                  | 31  | REAR FENDER ASSEMBLY         |
| 9  | KICKSTARTER ASSY.                 | 32  | SWINGARM ASSEMBLY            |
| 10 | TRANSMISSION ASSEMBLY             | 33  | SHOCK ABSORBER & CHAIN COVER |
| 11 | AIR CLEANER ASSEMBLY              | 34  | DISC BRAKE ASSEMBLY          |
| 12 | CARBURETTOR ASSEMBLY              | 35  | TOOL KIT                     |
| 13 | MUFFLER ASSEMBLY                  |     |                              |
| 14 | FRAME ASSEMBLY                    |     |                              |
| 15 | CENTER STAND & FOOTREST ASSY.     |     |                              |
| 16 | PILLION FOOTREST LH, RH           |     |                              |
| 17 | BRAKE PEDAL ASSEMBLY              |     |                              |
| 18 | HANDLE BAR ASSEMBLY               |     |                              |
| 19 | HANDLE HOLDER ASSEMBLY            |     |                              |
| 20 | HEAD LAMP ASSEMBLY                |     |                              |
| 21 | COVER FRAME & SEAT ASSEMBLY       |     |                              |
| 22 | FUEL TANK ASSEMBLY                |     |                              |
| 23 | FUEL GUAGE & AUTO FUEL COCK ASSY. |     |                              |
| 24 | SPEEDOMETER ASSEMBLY              |     |                              |

FIG.No. 14

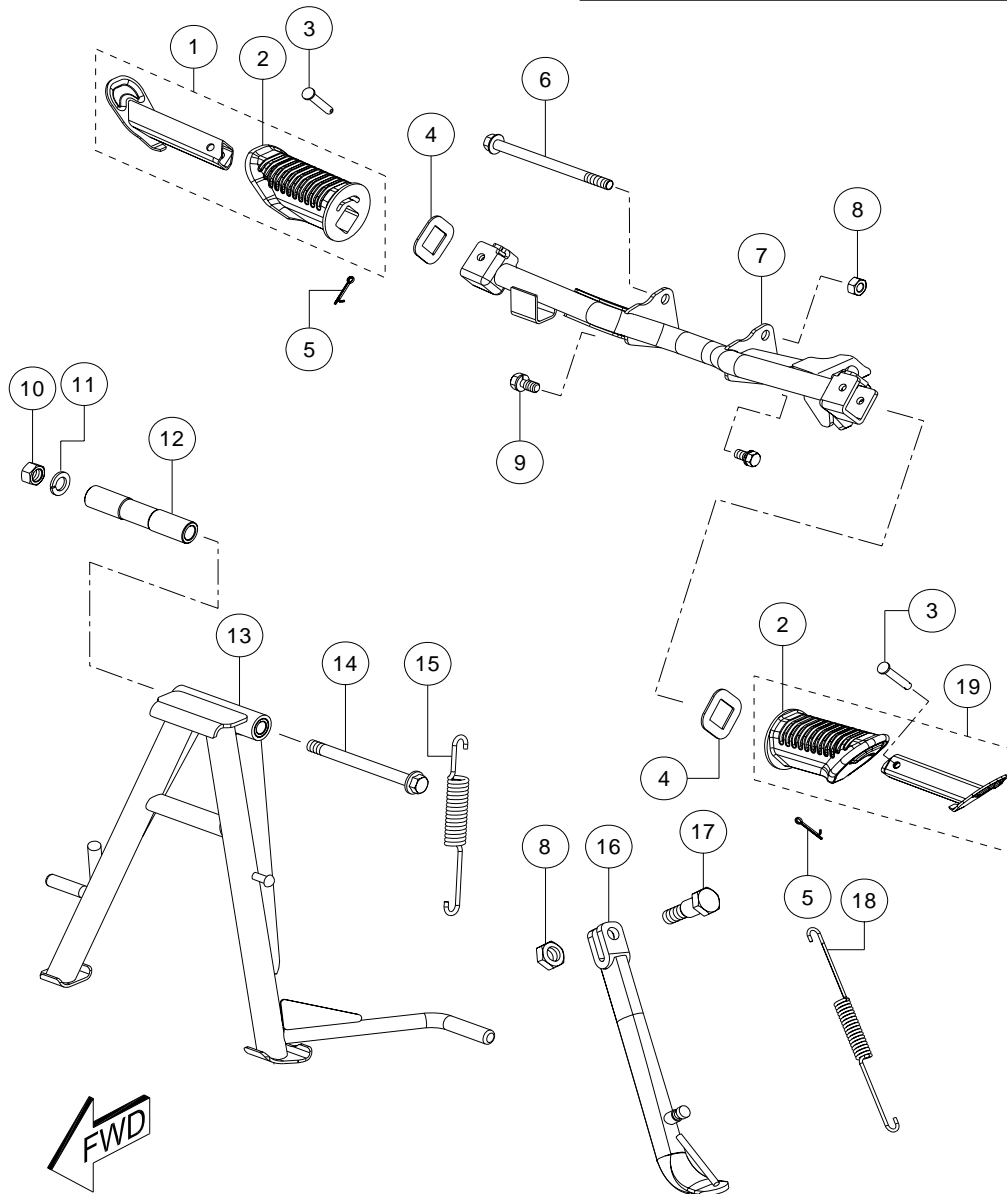
# FRAME ASSEMBLY



SLNo.	PART No.	DESCRIPTION	NO.OFF		REMARKS
			DRUM	DISC	
1	0331278	HEX FL. BOLT M8x1.25x115	1	1	
2	S1125290	RACE STEERING INNER	1	1	
3	N4121350	FRAME COMP.	1	1	
4	N4220470	COVER AIR INLET	1	1	
5	M1200480	HEX FL. BOLT M8x25	4	4	
6	N42200707D	PILLION HANDLE	1	1	
7	M1200530	HEX FLANGE BOLT M6x20	1	1	
8	N8211800	CABLE COMP. SEAT LOCK	1	1	
9	N8200260	BREAK OFF BOLT	2	2	
10	N8211560	SEAT CUM HELMET LOCK	1	1	
11	N8211790	SEAT LATCH COMP.	1	1	
12	0334548	HEX NUT M8	3	3	
13	M1200890	HEX FLANGE U NUT M8	4	4	
14	K3100590	CUP BOTTOM	1	1	
15	N8200040	HEX FL BOLT M8x65	1	1	
16	N3200100	HEX FL. BOLT M8x80	2	2	
17	N4121410	BRKT ENGINE MTG. FRONT	1	1	
18	N4220270	CRASH GUARD	1	1	
19	N8200030	HEX FLANGE BOLT M8x75	1	1	
20	420454700	HEX SCREW M8x20	2	2	
21	N4210800	STICKER INFO	1	1	
22	M1200120	HEX FL. BOLT M8x120	1	1	

FIG.No. 15

CENTER STAND & FOOTREST ASSY.

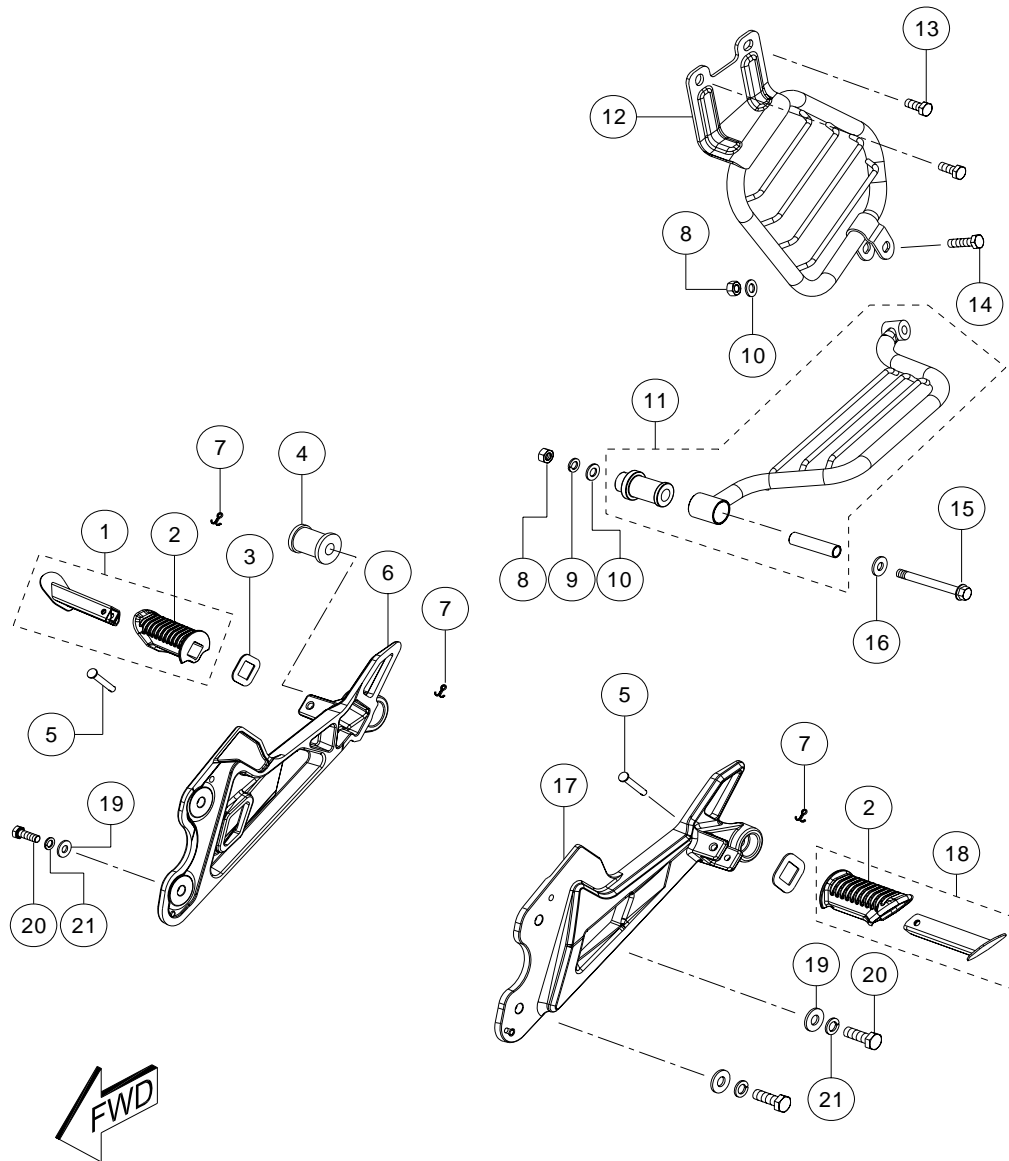


SLNo.	PART No.	DESCRIPTION	NO.OFF		REMARKS
			DRUM	DISC	
1	N9123720	HOLDER ASSY. RIDER F. REST RH	1	1	
2	N9123670	SLEEVE RIDER FOOTREST	1	1	
3	M7121420	PIN PILLION FOOTREST	2	2	
4	N9122650	WASHER PILLION FOOTREST	2	2	
5	0330048	SPLIT PIN 2x0	2	2	
6	0331278	HEX FL. BOLT M8x1.25x115	1	1	
7	N4120520	BAR COMP. RIDER FOOTREST	1	1	
8	0334548	HEX NUT M8	2	2	
9	0331058	HEX BOLT+WAVE SPR WAS. M8x16	2	2	
10	0334038	HEX NUT M10	1	1	
11	0330328	WAVE SPRING WASHER M10	1	1	
12	N3121540	SPACER CENTER STAND	1	1	
13	N9121890	CENTER STAND COMP.	1	1	
14	N8200050	BOLT CENTER STAND	1	1	
15	N3120860	SPRING CENTER STAND	1	1	
16	N9121050	PROP STAND COMP.	1	1	
17	N9200010	HEX BOLT M8x1.25x30	1	1	
18	N5121610	SPRING PROP STAND	1	1	
19	N9123710	HOLDER ASSY. RIDER F. REST LH	1	1	
20	N4320930	KIT PROP STAND	1	1	**

\*\* - REF. KIT & KIT CONTENTS

FIG.No.16

# PILLION FOOTREST ASSY. LH , RH

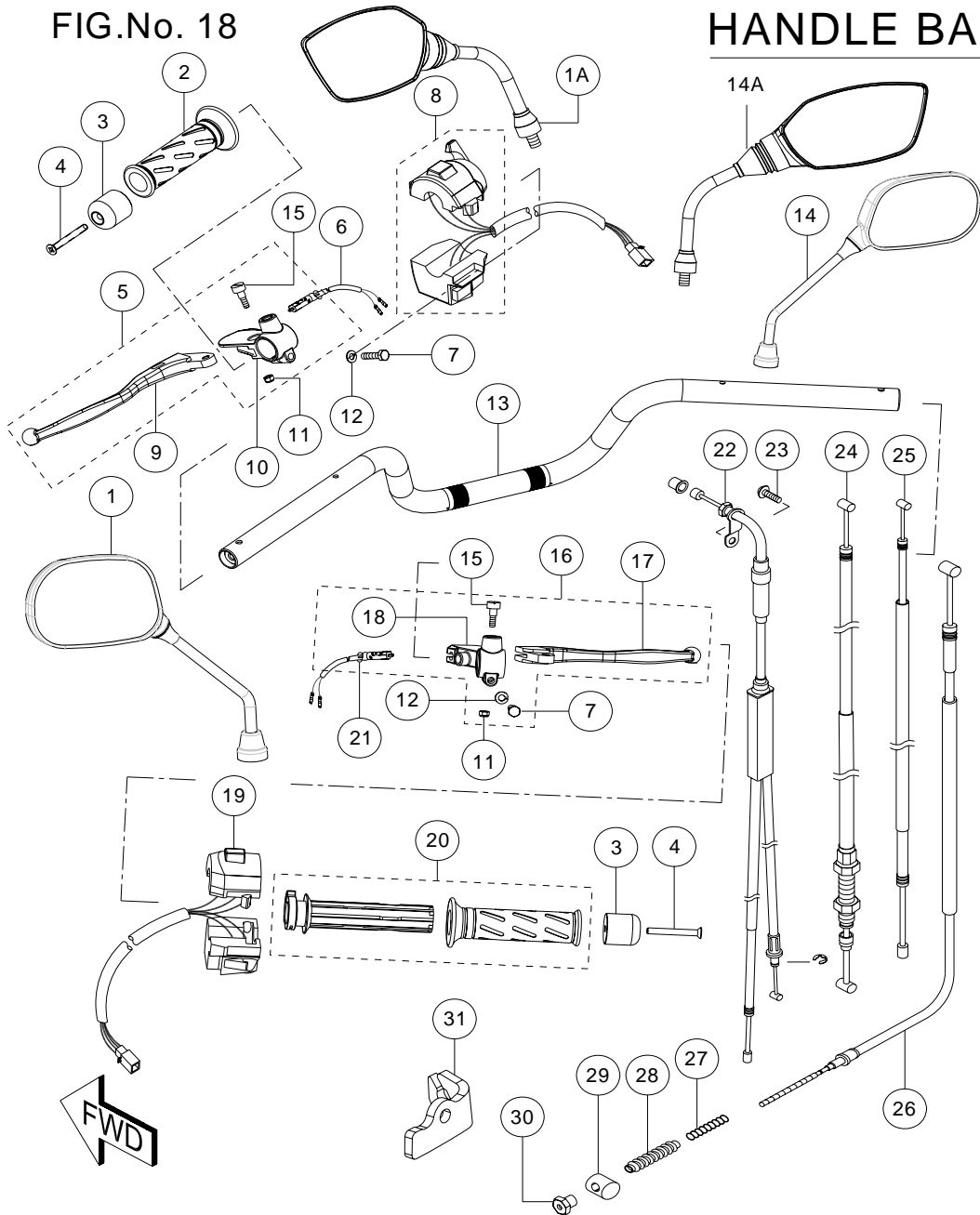


SLNo.	PART No.	DESCRIPTION	NO.OFF		REMARKS
			DRUM	DISC	
1	N9122600	HOLDER ASSY. PILLION RH	1	1	
2	N9122550	SLEEVE FOOTREST PILLION	2	2	
3	N9122650	WASHER PILLION FOOTREST	2	2	
4	N2121060	CUSHION EXHAUST MTG	1	1	
5	N9121790	PIN PILLION FOOTREST	2	2	
6	N42202007D	PILLION FOOTREST COMP. RH	1	1	
7	0330048	SPLIT PIN 2x20	2	2	
8	0334548	HEX NUT M8	2	2	
9	0330318	WAVE SPRING WASHER M8	1	1	
10	0335516	PUNCHED WASHER	2	2	
11	N4220510	SAREE GUARD FOOTREST ASSY.	1	1	
12	N4220280	SAREE GUARD COMP.	1	1	
13	420454700	HEX SCREW M8x20	2	2	
14	S1101250	HEX BOLT M8x35	1	1	
15	N8200030	HEX FLANGE BOLT M8x75	1	1	
16	0336018	PUNCHED WASHER 8.5x20x2	1	1	
17	N42201907D	PILLION FOOTREST COMP. LH	1	1	
18	N9122570	HOLDER ASSY. PILLION LH	1	1	
19	0335628	PUNCHED WASHER 10.5x24x2.3	2	2	
20	K3200680	HEX BOLT M10x1.25x30	2	2	
21	0330328	WAVE SPRING WASHER	2	2	



FIG.No. 18

HANDLE BAR ASSEMBLY



SLNo.	PART No.	DESCRIPTION	NO.OFF		REMARKS
			DRUM	DISC	
1	N5150070	REAR VIEW MIRROR ASSY. LH	1		
1A	N9221450	REAR VIEW MIRROR ASSY. LH		1	
2	M1150130	GRIP LH	1	1	
3	M1150450	DAMPER HANDLE BAR	2	2	
4	M1201060	REC CSK HEAD SCREW M6x50	2	2	
5	N9150440	LEVER ASSY. CLUTCH	1	1	
6	N9160910	CLUTCH SWITCH ASSY.	1	1	
7	7200120	HEX BOLT M6x25	2	1	
8	N4160020	SWITCH ASSY. HANDLE LH	1	1	
9	N9150520	LEVER CLUTCH	1	1	
10	N9150450	LEVER BRACKET LH	1	1	
11	415021000	HEX NUT	2	1	
12	0335936	PUNCHED WASHER 6.5x13x1	2	1	
13	N4150030	HANDLE BAR COMP.	1	1	
14	N5150080	REAR VIEW MIRROR ASSY. RH	1		
14A	N9221460	REAR VIEW MIRROR ASSY. RH		1	
15	N3150280	STUD LEVER HANDLE	2	2	
16	N5150170	LEVER ASSY. BRAKE	1		
17	N5150150	LEVER FRONT BRAKE	1		
17A	N9321500	KIT LEVER		1	
18	N5150160	LEVER BRACKET RH	1		
19	N4160030	SWITCH ASSY. HANDLE RH	1	1	
20	M1150140	GRIP COMP. THROTTLE	1	1	

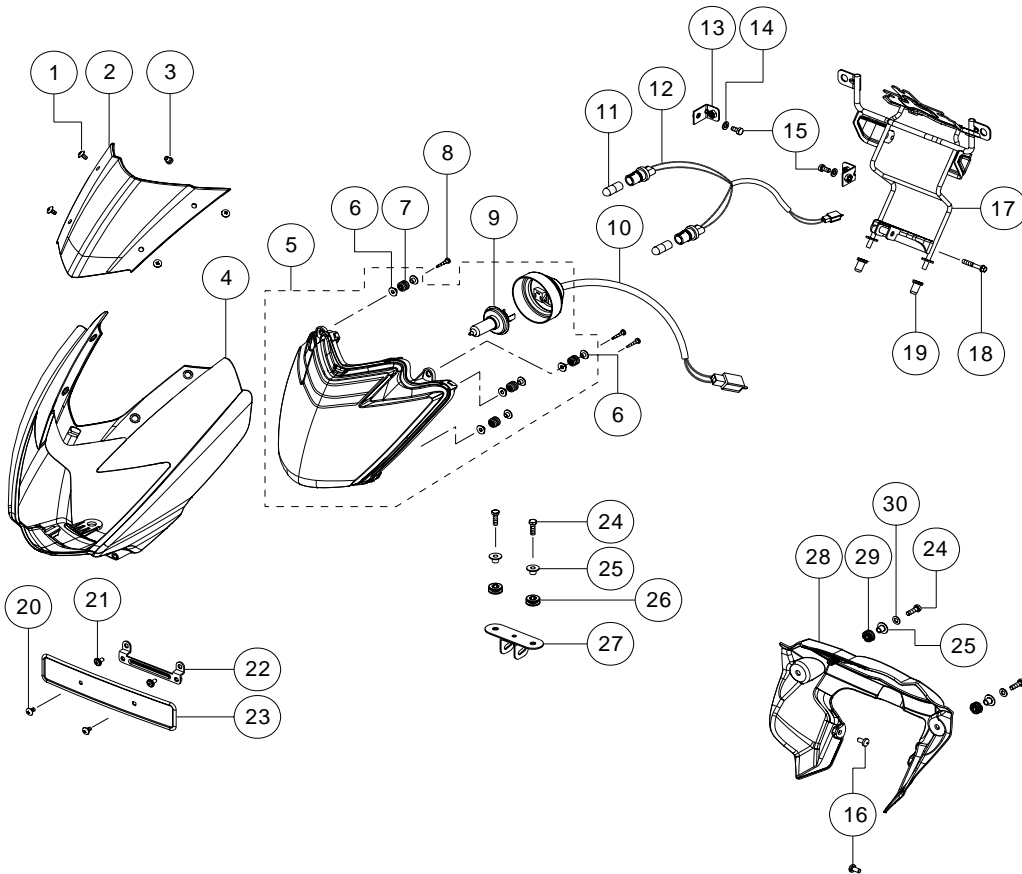






FIG.No. 20

# HEAD LAMP ASSEMBLY

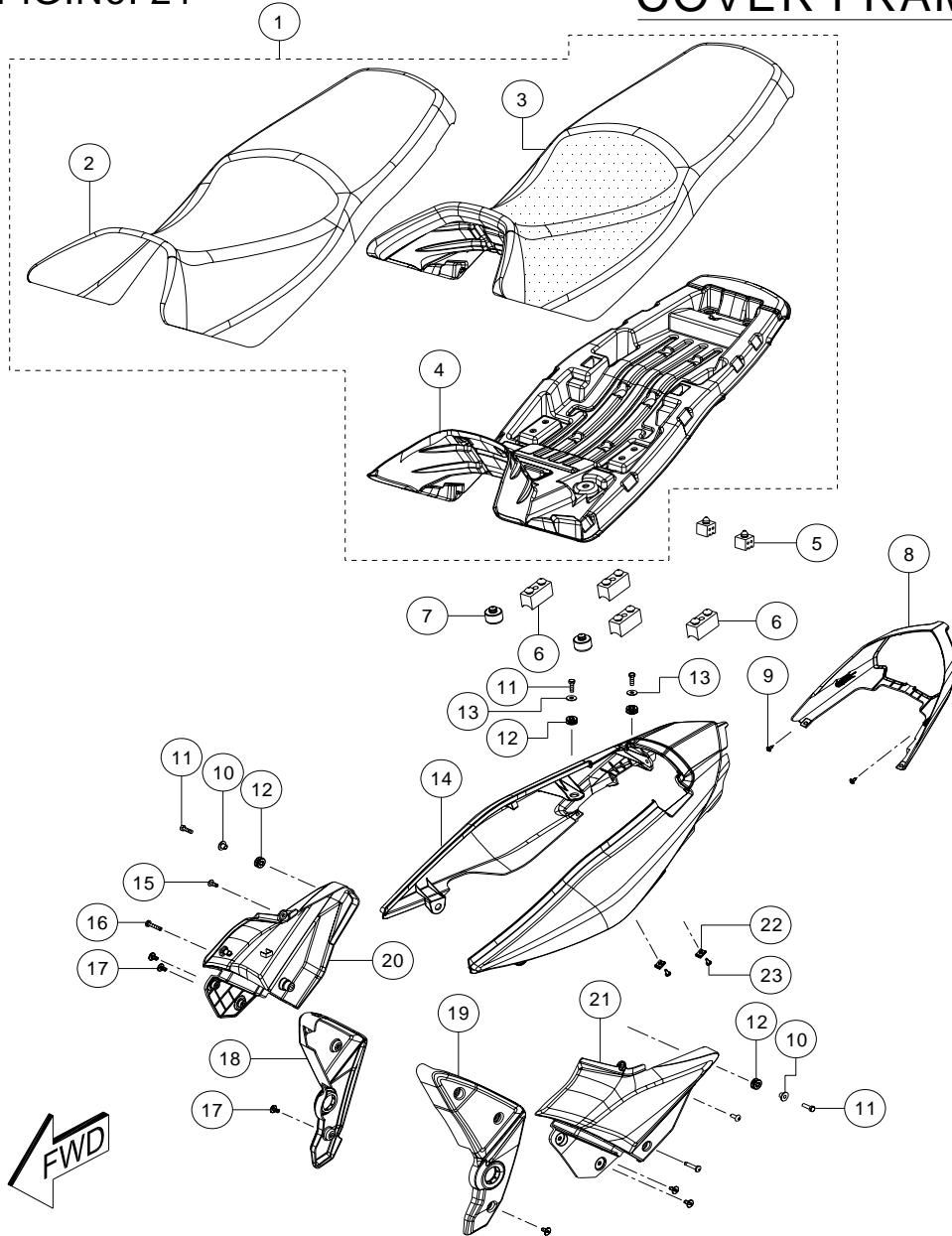


SLNo.	PART No.	DESCRIPTION	NO.OFF		REMARKS
			DRUM	DISC	
1	N8200220	CRR MUSHROOM HD SCR. M5x10	4	4	
2	N4220140	VISOR HEAD LAMP	1	1	
3	N3120990	GROMMET COMP. VISOR MTG	4	4	
4	--	HOUSING HEAD LAMP COMP.	1	1	REF. COLOR MAT.
5	N4160070	HEAD LAMP ASSY.	1	1	
6	S1160200	WASHER	8	8	
7	S1160190	GROMMET HEAD LAMP	4	4	
8	S1201000	CRR PAN SCREW	4	4	
9	M7160190	BULB HEAD LAMP	1	1	
10	N4160140	CORD SET HEAD LAMP	1	1	
11	K3160520	BULB POSITION LAMP	2	2	
12	N9160880	CORD SET POSITION LAMP	1	1	
13	N3120300	BRKT COMP. HOUSING HEAD LAMP	2	2	
14	420001700	PUNCHED WASHERA6.6	2	2	
15	420452700	HEX SCREW M6x12	2	2	
16	P200270	CRR PAN HD SCREW M6 x 20	2	2	
17	N4220150	BRKT COMP HOUSING HEAD LAMP	1	1	
18	K200540	HEX FL. BOLT M6x35	1	1	
19	N8220500	PLUG BRKT HSG. HEAD LAMP	2	2	
20	N8200080	CRR FL. PAN HD SCREW M5x10	2	2	
21	8200120	CRR FL. PAN HD SCREW M5x11	2	2	
22	N4220540	BRKT COMP LICENCE PLATE	1	1	
23	N3211120	NUMBER PLATE FRONT	1	1	



FIG.No. 21

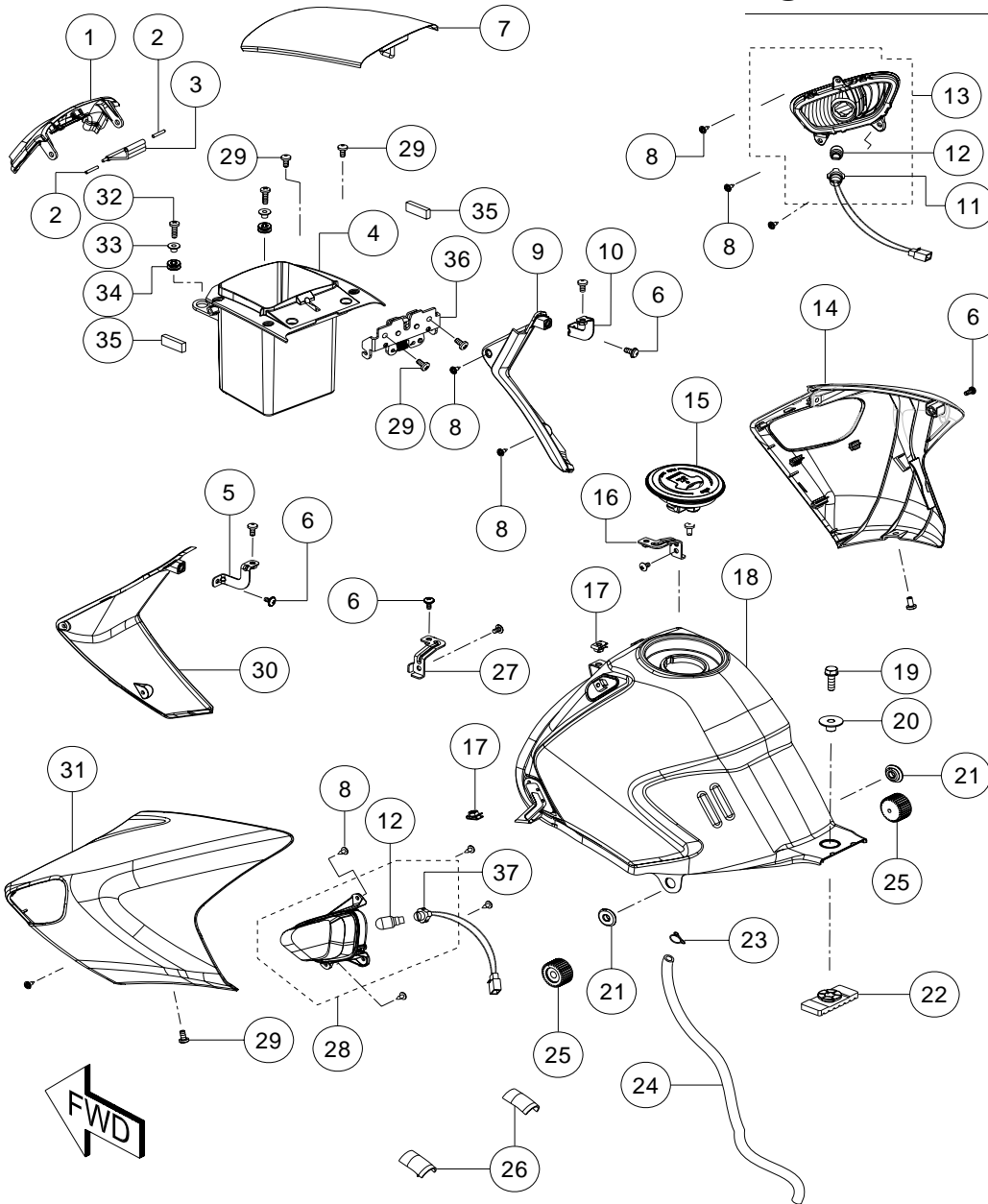
COVER FRAME & SEAT ASSY.



SLNo.	PART No.	DESCRIPTION	NO.OFF		REMARKS
			DRUM	DISC	
1	N4130010	SEAT ASSEMBLY	1	1	
2	N4130040	COVER SEAT	1	1	
3	N4130030	SEAT FOAM	1	1	
4	N4130020	SEAT BASE	1	1	
5	N9130120	CUSHION SEAT	2	2	
6	N8130130	CUSHION SEAT	4	4	
7	N3130040	SEAT REST REAR	2	2	
8	N4220489	COVER TAIL LAMP	1	1	
9	N3200340	CRR FL.PAN HD TAP SCREW 4.2	2	2	
10	N8122610	CUP WASHER	2	2	
11	420462700	HEX SCREW M6x20	4	4	
12	N3120130	GROMMET HEAD LAMP	4	4	
13	0335618	PUNCHED WASHER 6.5x20x1.6	2	2	
14	-	COVER SEAT TAIL COMP.	1	1	REF.COLOR MATRIX
15	K3200860	CRR PAN HEAD SCREW M6x30	2	2	
16	0332275	CRR PAN HD SCREW M6x16	2	2	
17	R1200220	SPL CRR PAN HD SCREW M6x12	6	6	
18	N42204307D	COVER FRAME BOTTOM RH	1	1	
19	N42204207D	COVER FRAME BOTTOM LH	1	1	
20	N42201005D	COVER FRAME RH	1	1	
21	N42200905D	COVER FRAME LH	1	1	
22	7130020	NUT SEAT TAIL COVER CENTER	2	2	
23	M1201000	CRR FL. PAN HD TAP SCREW	2	2	

FIG.No. 22

# FUELTANK ASSEMBLY

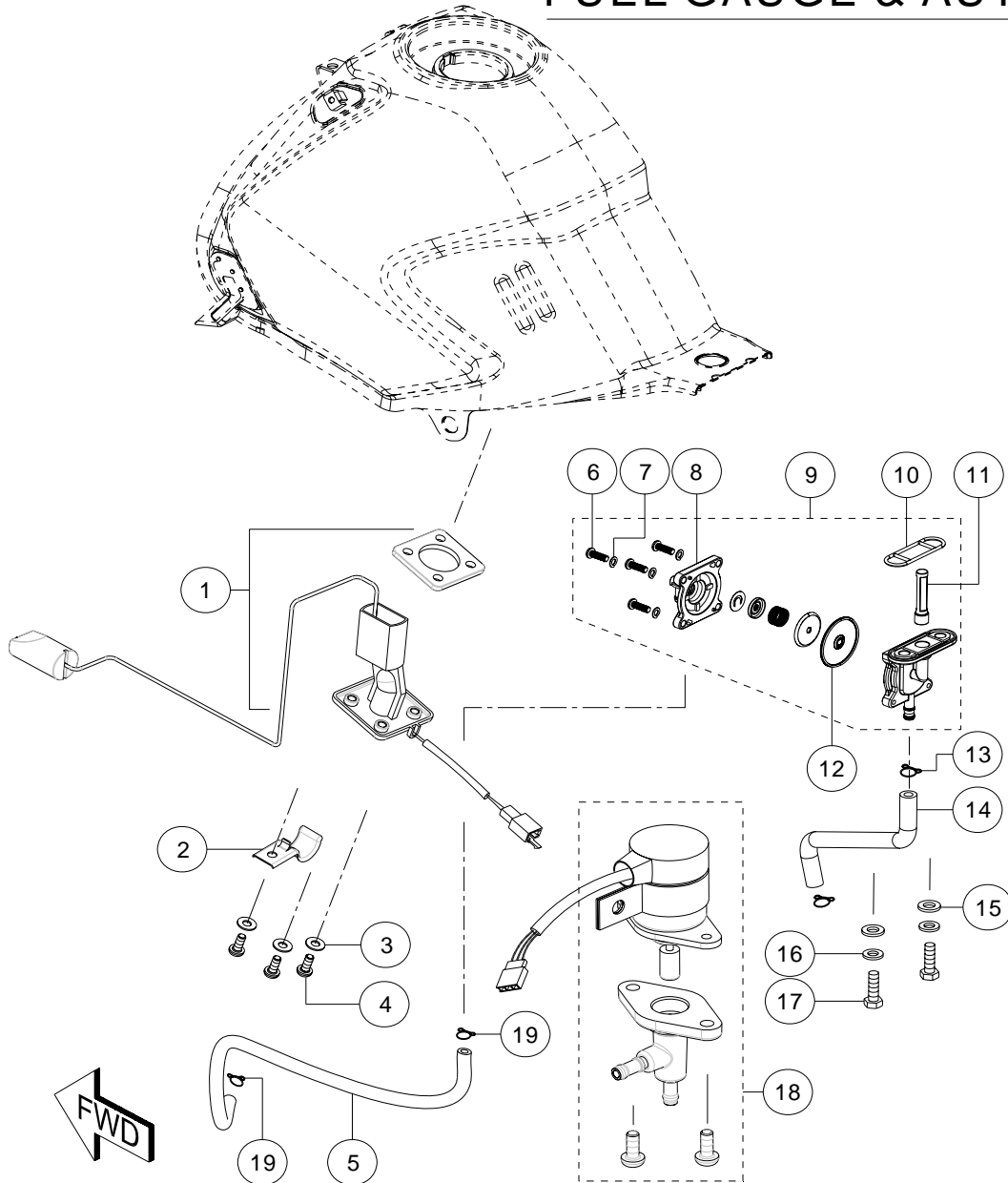


SLNo.	PART No.	DESCRIPTION			REMARKS
1	---	COVER FUEL TANK CENTER	1	1	REF.COLOR MATRIX
2	N4200120	PIN	2	2	
3	---	HING BRKT	1	1	
4	N4220680	TOOL BOX	1	1	
5	N4220400	BRKT COVER F T FRONT LH	1	1	
6	N8200080	CRR FL PAN HEAD SCR. M5x10	6	6	
7	N42205704D	COVER TOOL BOX	1	1	
8	N3200340	CRR FL PAN HD TAP SC 4.2x13	8	8	
9	---	COVER FUEL TANK INNER RH	1	1	REF.COLOR MATRIX
10	N4220410	BRKT COVER F T FRONT RH	1	1	
11	N4160240	CORD SET TS FRONT RH	1	1	
12	N4160210	BULB TSL ASSY.	2	2	
13	N4160110	TURN SIGNAL LAMP ASSY. F.RH	1	1	
14	---	COVER FUEL TANK RH	1	1	REF.COLOR MATRIX
15	N4140270	CAP FUEL TANK	1	1	
16	N4220590	BRKT COVER F T OUTER RH	1	1	
17	S1200700	CLIP NUT	1	1	
18	---	FUEL TANK COMP.	1	1	REF.COLOR MATRIX
19	M1200480	HEX FLANGE BOLT M8x25	1	1	
20	N9140540	BUSH FUEL TANK REAR MTG	1	1	
21	N8220400	CUSHION FUEL TANK	2	2	
22	N9140530	CUSHION FUEL TANK RR MTG	1	1	
23	R1140440	HOSE CLIP	1	1	



FIG.No. 23

# FUEL GAUGE & AUTO FUEL COCK ASSY.



SLNo.	PART No.	DESCRIPTION	NO.OFF		REMARKS
			DRUM	DISC	
1	N4160050	FUEL SENDER UNIT	1	1	
2	N9140700	HOSE GUIDE	1	1	
3	0335558	PUNCHED WASHER 5.5x12x1	3	3	
4	0331708	CRPH SCREW M5x12	4	4	
5	N4140450	HOSE VACUUM	1	1	
6	-	SCREW	4	4	
7	-	SPRING WASHER	4	4	
8	-	COVER AUTO FUEL COCK	1	1	
9	N4140080	AUTO FUEL COCK ASSY.	1	1	
10	N4320940	MOUNTING RING	1	1	
11	N4320950	FUEL STRAINER SET SCREEN	1	1	
12	N4320960	DIAPHRAGM	1	1	
13	N4200130	HOSE CLAMP	2	2	
14	N4140440	HOSE AFC TO CARBURETOR	1	1	
15	N3140120	GASKET OIL LEVEL PLUG	2	2	
16	420001700	PUNCHED WASHER A6.6	2	2	
17	420462700	HEX SCREW M6x20	2	2	
18	N4160190	ACTUATOR ASSY.	1	1	
19	414147000	HOSE CLIP	2	2	

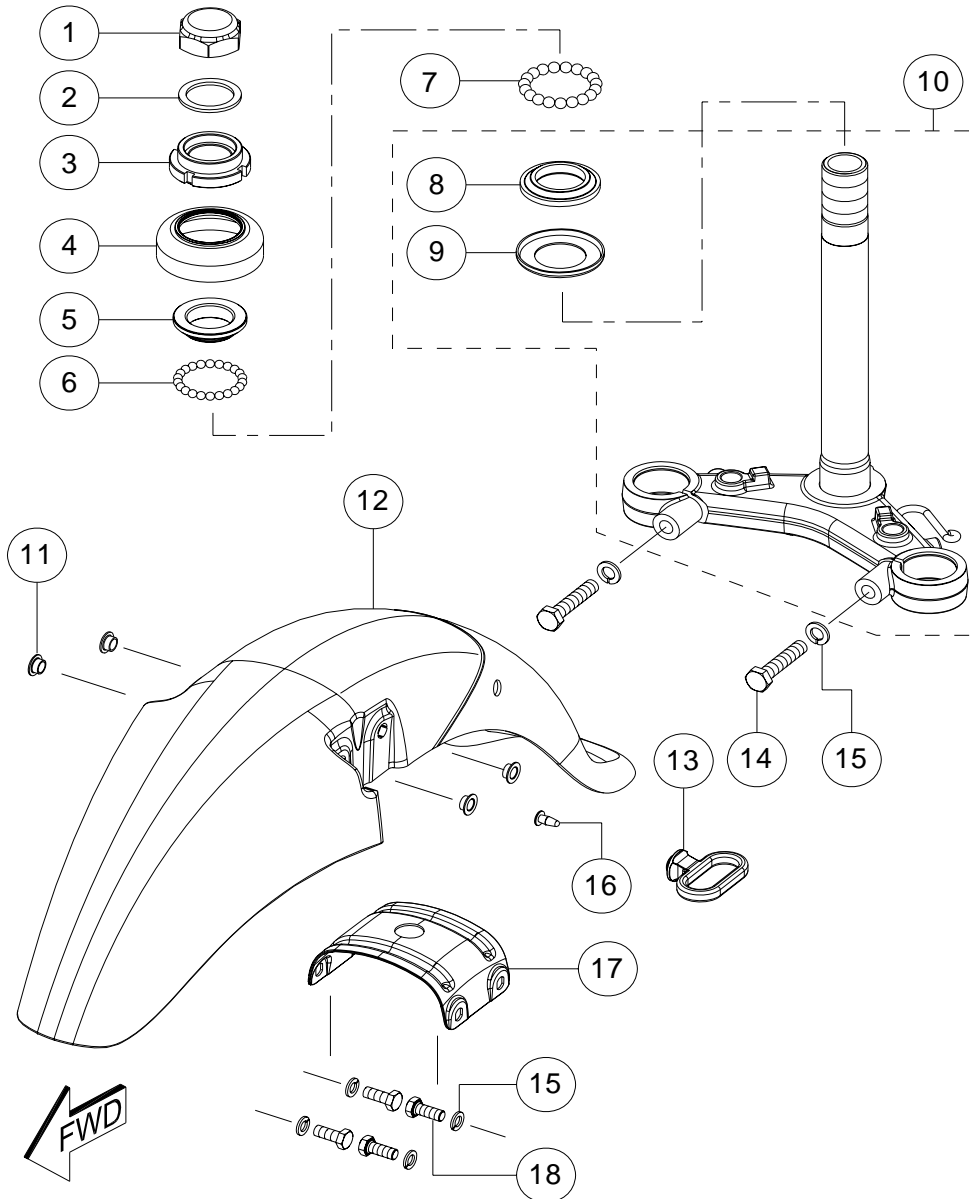






FIG.No. 25

UNDER BRACKET ASSY.

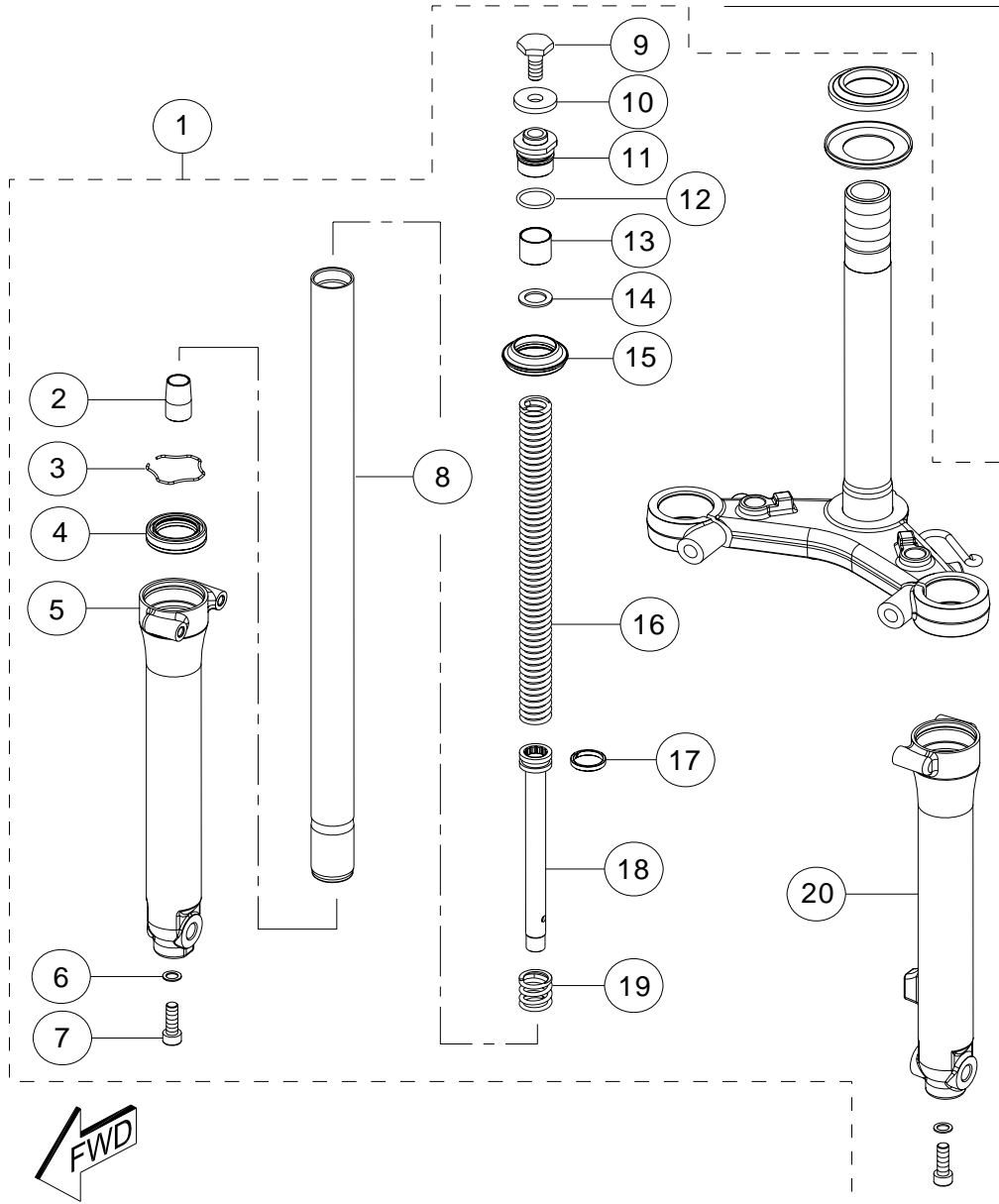


SLNo.	PART No.	DESCRIPTION	NO.OFF		REMARKS
			DRUM	DISC	
1	N2100170	LOCK NUT STEERING	1	1	
2	410043700	SPECIAL WASHER	1	1	
3	N2100180	ARRESTER STEERING STEM	1	1	
4	M7101170	DUST SEAL STEERING STEM	1	1	
5	S1101150	RACE STEERING UPPER	1	1	
6	420404000	BALLS 3/16	22	22	
7	K3200450	BALL DIA 6.35	19	19	
8	N8120910	CONE BOTTOM	1	1	
9	N8120920	DUST SEAL STEERING LOWER	1	1	
10	N9322140	LOWER BRKT ASSY.	1	1	
11	M7101020	SPACER	4	4	
12	---	FENDER FRONT	1	1	REF. COLOR MATRIX
13	N3100220	GUIDE CABLE	1	1	
14	420955700	HEX SCREW M8x40	2	2	
15	0330318	WAVE SPRING WASHER M8	6	6	
16	N3100230	CLIP	1	1	
17	M7100570	BRACE FENDER	1	1	
18	420454700	HEX SCREW M8x20	4	4	
19	N4320300	STEERING CONE KIT	1	1	**

\*\* - REFER KIT & KIT CONTENTS

FIG.No. 26

FRONT FORK ASSEMBLY

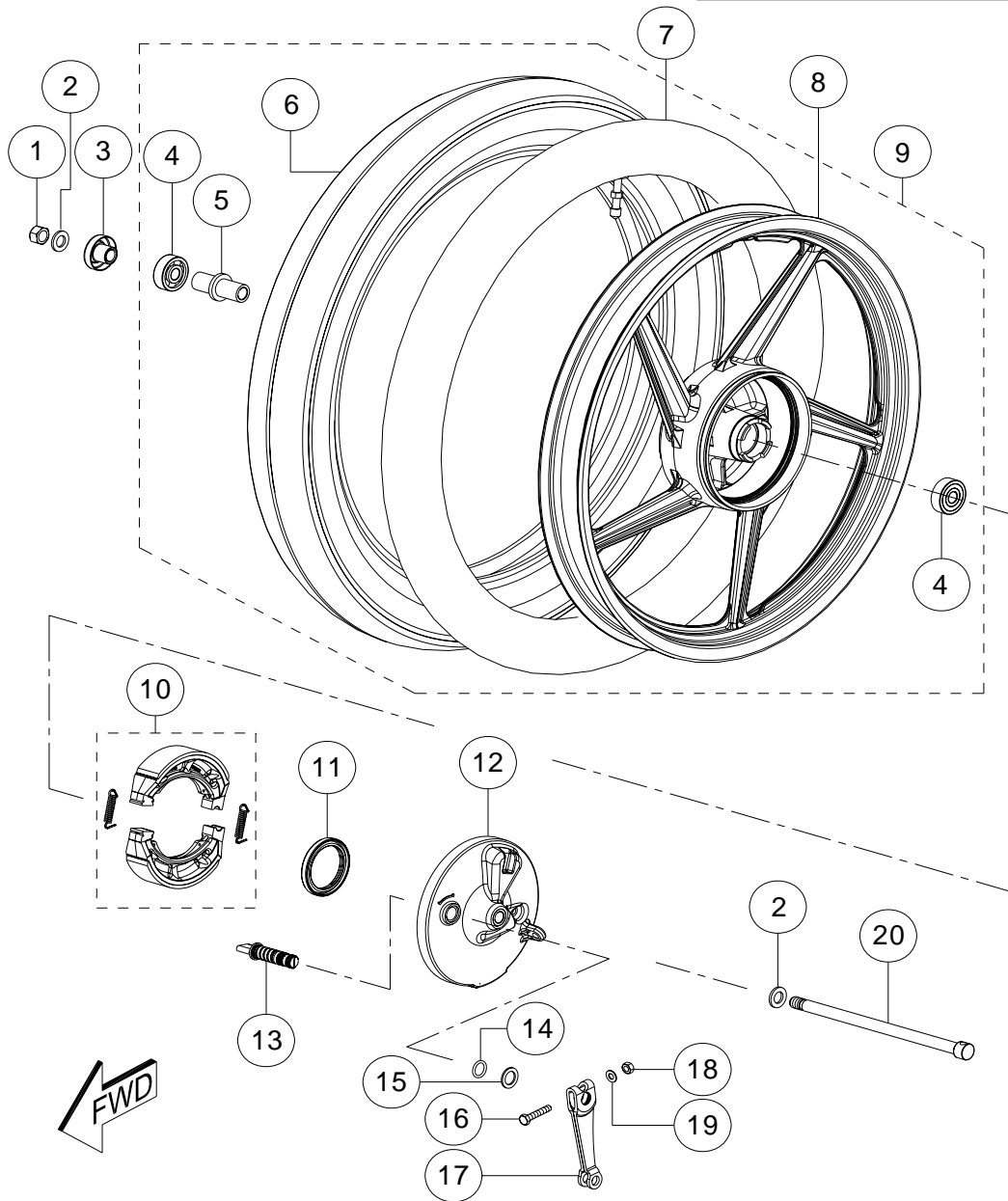


SLNo.	PART No.	DESCRIPTION	NO.OFF		REMARKS
			DRUM	DISC	
1	N4100190	FRONT FORK ASSY. DRUM	1		
1A	N4100350	FRONT FORK ASSY. DISC		1	
2	N3100300	PIECE OIL LOCK	2	2	
3	N3100290	SNAP RING	2	2	
4	N3102420	OIL SEAL	2	2	
5	N21002507D	OUTER TUBE COMP. RH DRUM	1		
5A	N4100330	OUTER TUBE COMP. RH DISC		1	
6	N8101220	PACKING	2	2	
7	N8101230	BOLT	2	2	
8	N9100379	INNER TUBE ASSY.	2	2	
9	N9100910	BOLT	2	2	
10	N9100900	WASHER 3D 10.5x30x4..5	2	2	
11	N9100450	NUT FRONT FORK	2	2	
12	N5101969	O RING	2	2	
13	N9100780	SPACER FRONT FORK	2	2	
14	N5101949	SPRING GUIDE	2	2	
15	N3102410	DUST SEAL	2	2	
16	N5101939	SPRING FRONT FORK	2	2	
17	N3100330	PISTON RING DAMPER	2	2	
18	N3100340	PISTON FRONT FORK	2	2	
19	N8101320	REBOUND SPRING	2	2	
20	N21002407D	FORK OUTER TUBE LH DRUM	1		
20A	N4100320	FORK OUTER TUBE LH DISC		1	



FIG.No. 27

# FRONT WHEEL ASSY. (DRUM)

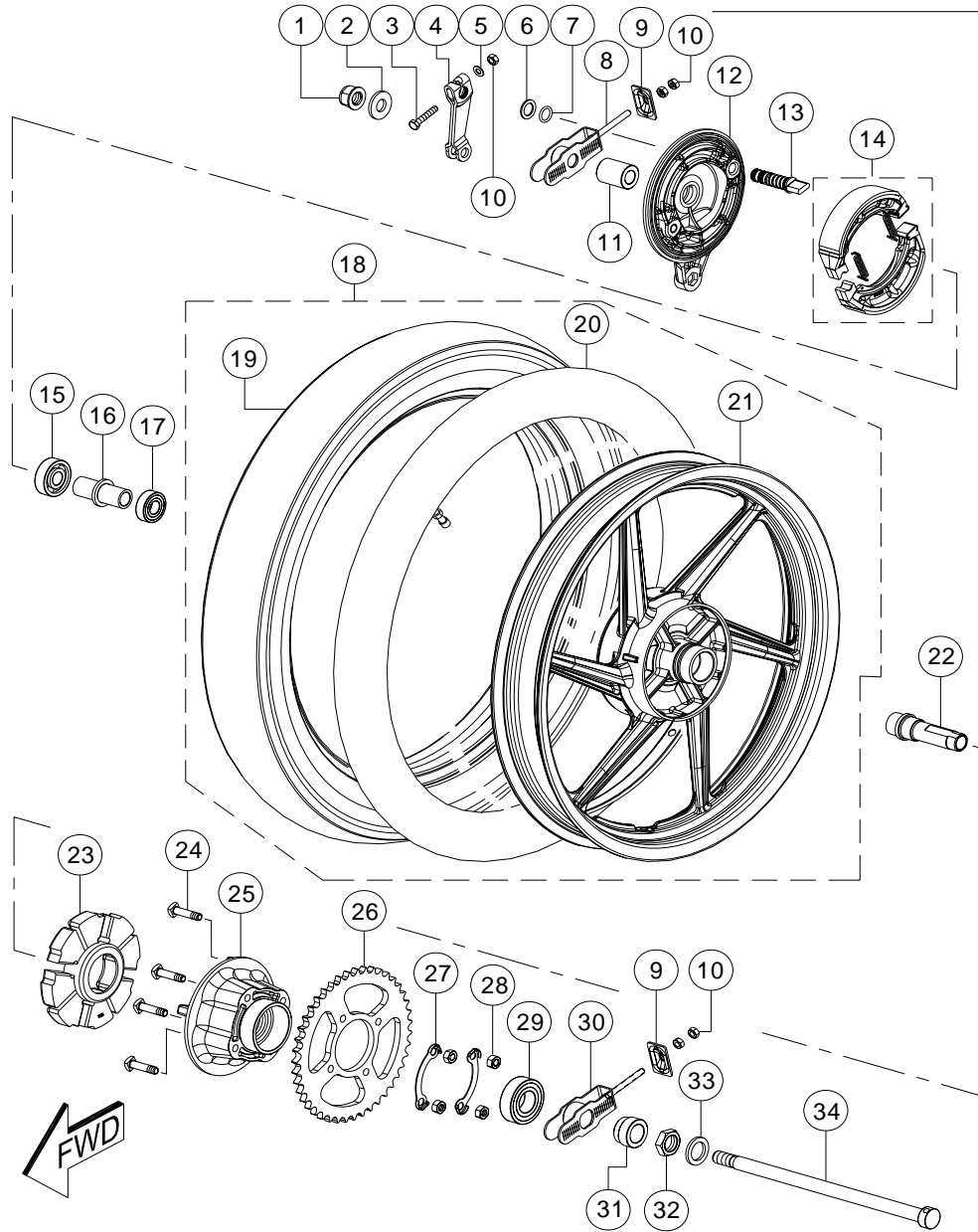


SLNo.	PART No.	DESCRIPTION	NO.OFF		REMARKS
			DRUM	DISC	
1	0334158	U NUT M12x1.25	1		
2	0335538	PUNCHED WASHER 12.5x22x2.3	2		
3	N3110390	SPACER COMP.	1		
4	N3200010	BALL BEARING 12x37x12	2		
5	N2110190	SPACER COMP. FRONT HUB	1		
6	N4110210	TYRE FRONT 2.75" - 18"	1		
7	N3110430	TUBE ASSY 2.5"/2.75"-18"	1		
8	N8112200	ALLOY WHEEL FRONT 1.6x18	1		
9	N4110190	WHEEL ASSY.	1		
10	1110020	SHOE SET BRAKE DIA 130	1		
11	N3110260	SEAL FRONT BRAKE PANEL OIL	1		
12	N4110280	BRAKE PANEL COMP. FRONT	1		
13	N2110130	CAM BRAKE FRONT	1		
14	0178030	O RING BRAKE CAM	1		
15	0335698	PUNCHED WASHER 14.5x22x1.6	1		
16	0331248	HEX BOLT M6x1x33	1		
17	N3110400	LEVER FRONT BRAKE CAM	1		
18	420305700	HEX NUT M6	1		
19	0335578	PUNCHED WASHER 6.5x22x1.6	1		
20	N3110990	AXLE DIA 12x221.5	1		



FIG.No. 28

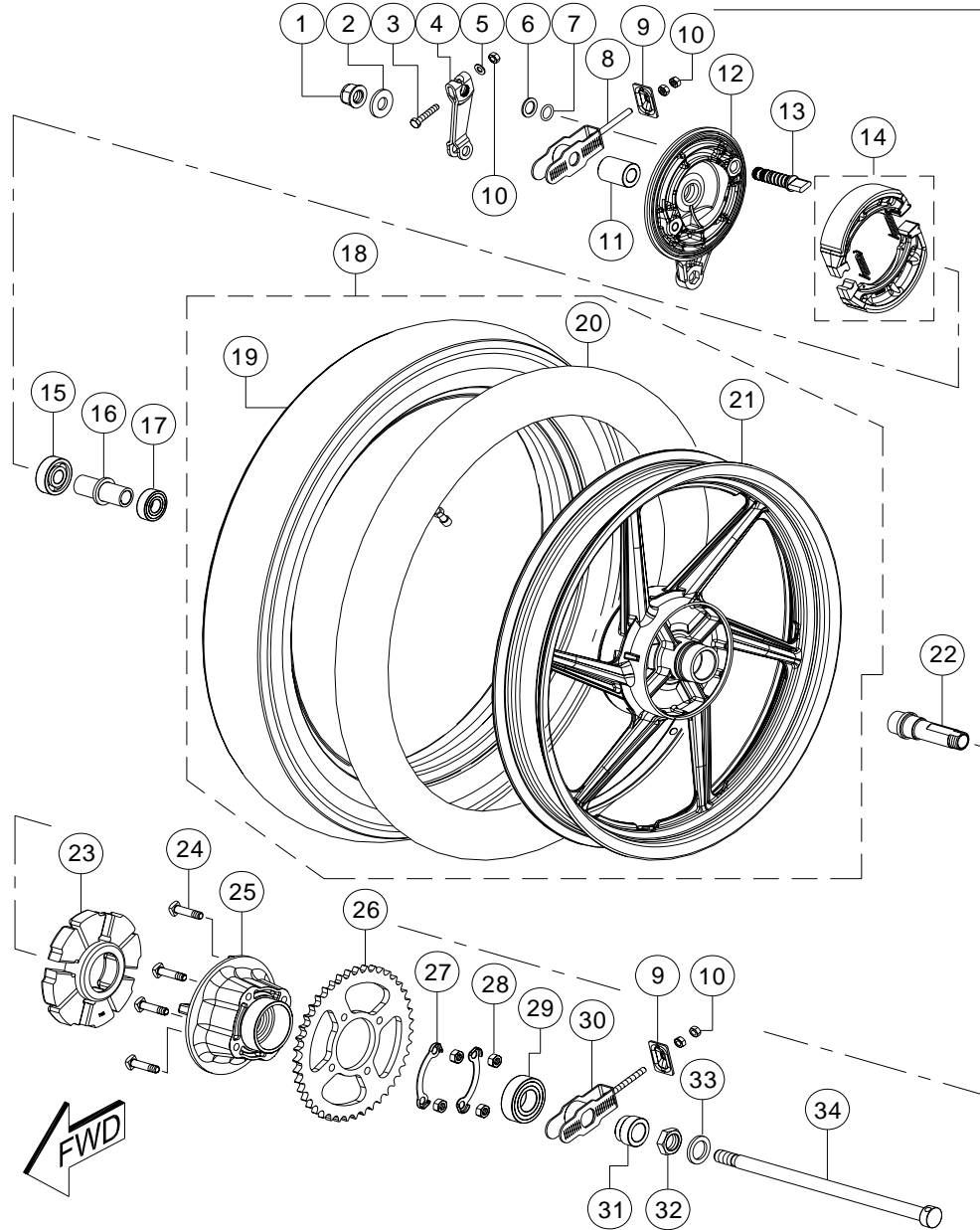
REAR WHEEL ASSEMBLY



SLNo.	PART No.	DESCRIPTION	NO.OFF		REMARKS
			DRUM	DISC	
1	K200410	U NUT M14 x1.5	1	1	
2	M7200020	PUNCHED WASHER 14.5x32x3.2	1	1	
3	0331248	HEX BOLT M6x1x33	1	1	
4	M7110770	LEVER CAM BRAKE	1	1	
5	0335578	PUNCHED WASHER 6.5x13x1	1	1	
6	0335698	PUNCHED WASHER 14.5x22.1.6	1	1	
7	0178030	O RING CAM BRAKE	1	1	
8	N9090910	CHAIN ADJUSTER COMP. RH	1	1	
9	N3091850	CLAMP CHAIN ADJUSTER	2	2	
10	420305700	HEX NUT M6	4	4	
11	M7110750	SPACER REAR AXLE RH	1	1	
12	11124505D	BRAKE PANEL REAR	1	1	
13	N2110130	CAM BRAKE	1	1	
14	1110020	BRAKE SHOE SET 130 DIA	1	1	
15	1339510	BALL BEARING 15x42x13	1	1	
16	1182200	SPACER COMP.	1	1	
17	1339520	BALL BEARING 15x35x11	1	1	
18	N4110150	WHEEL ASSY. REAR ALLOY	1	1	
19	N3111360	TYRE REAR 3x18	1	1	
20	N3110440	TUBE ASSY. WHEEL INNER	1	1	
21	N8112210	ALLOY WHEEL REAR 1.85x18"	1	1	
22	N9110690	SHAFT REAR SPROCKET MTG	1	1	
23	1181150	ABSORBER RR WHEEL HUB	1	1	

FIG.No. 28

# REAR WHEEL ASSEMBLY



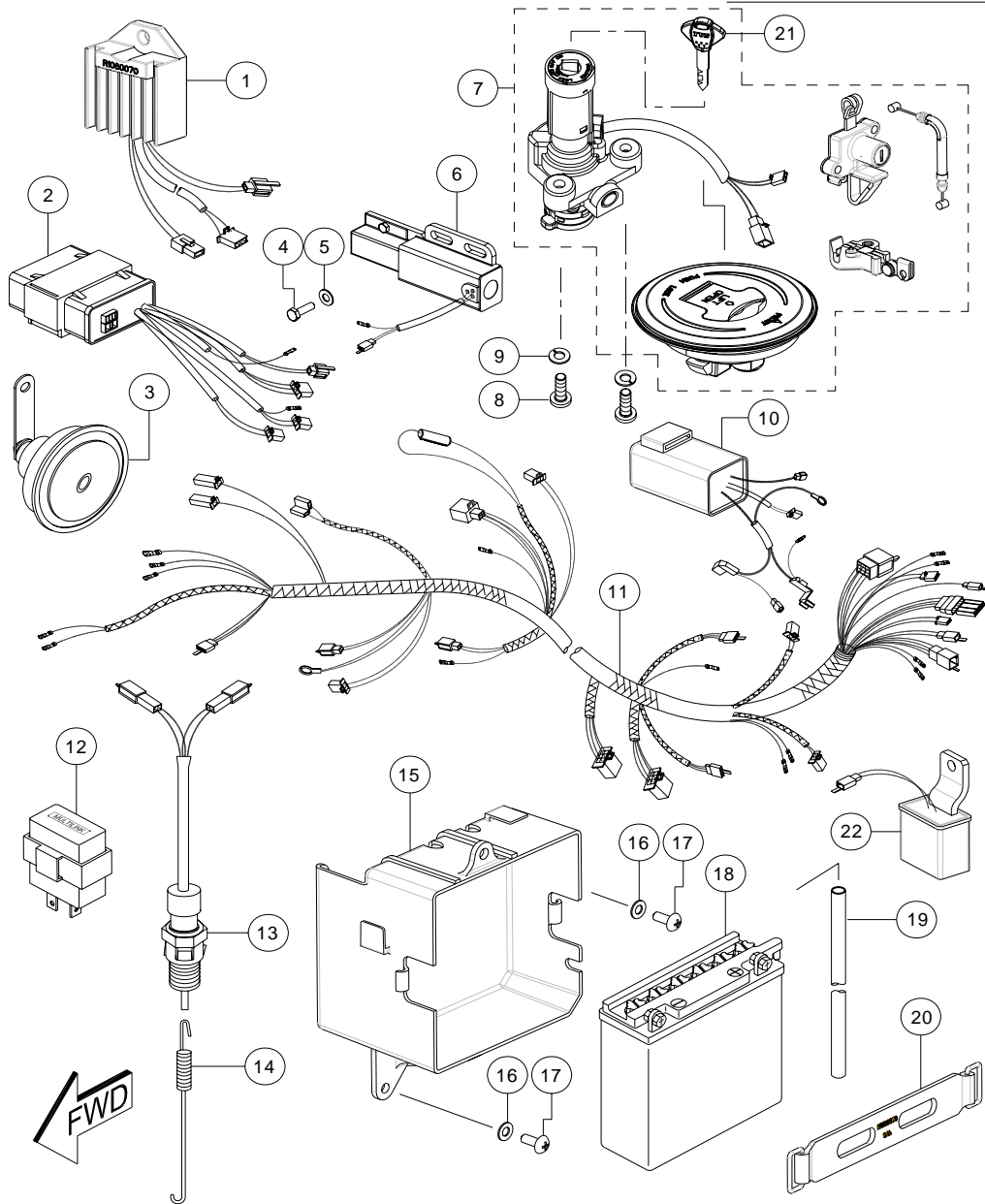
SLNo.	PART No.	DESCRIPTION	NO.OFF		REMARKS
			DRUM	DISC	
24	0331318	BOLT REAR SPROCKET	4	4	
25	1181070	DRUM REAR SPROCKET 130DIA	1	1	
26	N4110340	SPROCKET 45T	1	1	
27	1181160	WASHER REAR SPROCKET	2	2	
28	0334548	HEX NUT M8	4	4	
29	1339120	BALL BEARING 25x52x15	1	1	
30	N9090940	CHAIN ADJUSTER COMP. LH	1	1	
31	M7110740	SPACER REAR AXLE LH	1	1	
32	0334640	HEX NUT M20	1	1	
33	M7200010	WASHER 21.6x32x3.2	1	1	
34	N9110700	REAR AXLE 15x290	1	1	
35	N4320430	CHAIN & SPROCKET KIT	1	1	**

\*\* - REF. KIT & KIT CONTENTS



FIG.No. 29

WIRING HARNESS ASSY.



SLNo.	PART No.	DESCRIPTION	NO.OFF		REMARKS
			DRUM	DISC	
1	N4060060	FULL WAVE REGULATOR	1	1	
2	N4060160	TCI & CONTROL UNIT	1	1	
3	N9160850	HORN	1	1	
4	N5200340	HEX SCREW M6x16	2	2	
5	0335578	PUNCHED WASHER 6.5x13x1	2	2	
6	N4160180	THROTTLE POTENTIOMETER	1	1	
7	N4210020	LOCK SET	1	1	
8	420518700	CRR PAN HEAD SCREW M6x20	2	2	
9	0330408	WAVE SPRING WASHER M6	2	2	
10	N4160040	STARTER RELAY	1	1	
11	N4160010	WIRING HARNESS	1	1	
12	N9160380	ELECTRONIC FLASHER UNIT	1	1	
13	N9160900	SWITCH ASSY. STOP LAMP	1	1	
14	N4110120	SPRING STOP LAMP	1	1	
15	N4120980	BATTERY HOLDER	1	1	
16	0335608	PUNCHED WASHER 6.5x16x1.2	2	2	
17	0332275	SCREW CRPH M6x16	2	2	
18	K06012000	BATTERY UNCHARGED	1	1	
19	N3060110	BATTERY BREATHER HOSE	1	1	
20	N3160060	BAND BATTERY	1	1	
21	N4210760	BLANK KEY	1	1	
22	N4060140	AC REGULATOR	1	1	AS REQUIRED





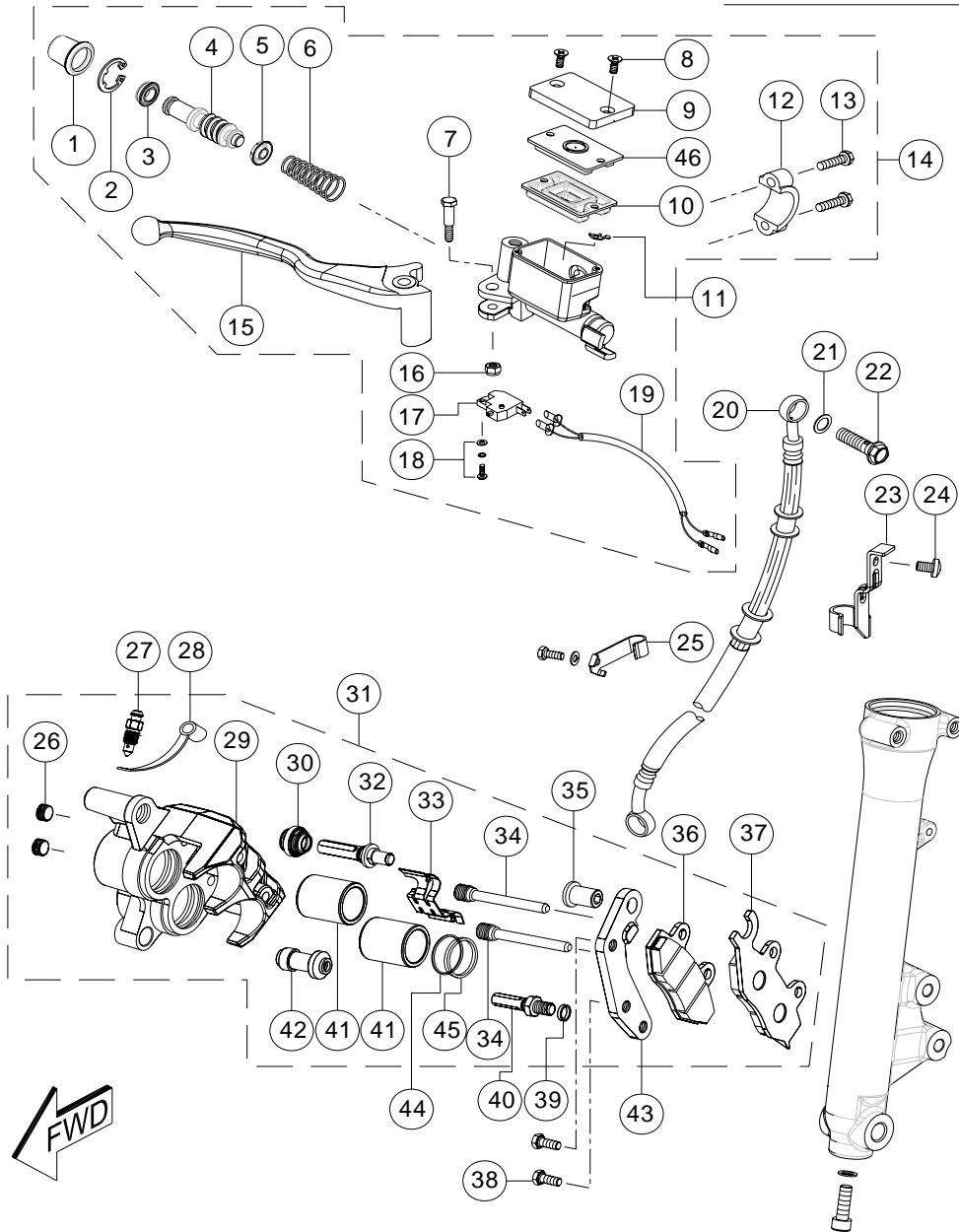






FIG.No. 34

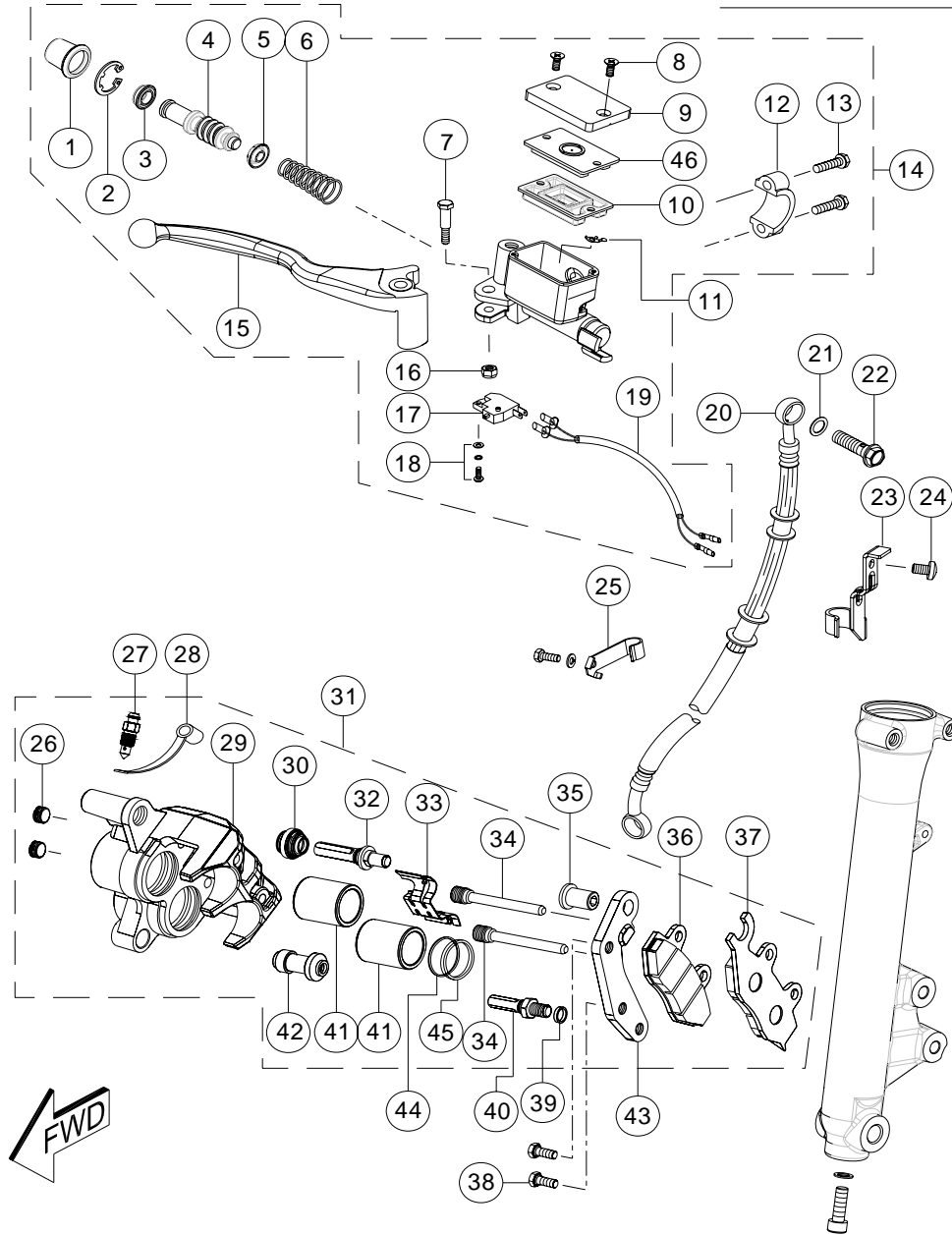
# DISC BRAKE ASSEMBLY



SLNo.	PART No.	DESCRIPTION	NO.OFF		REMARKS
			DRUM	DISC	
1	---	BOOTS ASSY.		1	N9321490
2	---	SNAP RING		1	"
3	---	S CUP		1	"
4	---	PISTON		1	"
5	---	P CUP		1	"
6	---	SPRING		1	"
7	---	HAND LEVER BOLT		1	N9321500
8	---	SCREW RESERVOIR CAP		2	N9321530
9	---	RESERVOIR CAP		1	"
10	N9322010	DIAPHRAGM		1	N9321490
11	---	PROTECTOR		1	"
12	---	HOLDER		1	N9321510
13	---	HOLDER BOLT		1	"
14	N9111140	ASSY. MASTER CYLINDER		1	
15	---	LEVER RH		1	N9321500
16	---	FLANGE NUT		1	"
17	---	SWITCH ASSY.		1	N9321520
18	---	SCREW & WASHER		1	"
19	---	SUB HARNESS		1	"
20	---	HOSE COMP. BRAKE		1	N9321540
21	---	GASKET		4	
22	---	BANJO BOLT		2	"
23	---	CLAMP HOSE UNDER BRKT		1	

FIG.No. 34

DISC BRAKE ASSEMBLY



SLNo.	PART No.	DESCRIPTION	NO.OFF		REMARKS
			DRUM	DISC	
24	3257448	SCREW M6x10		1	
25	N9111220	CLAMP BRAKE HOSE		1	
26	---	PLUG PIN		1	
27	---	BLEEDER		1	N9321600
28	---	CAP BLEEDER		1	"
29	---	CALIPER BODY COMP.		1	
30	---	BOOT B		1	N9321550
31	N9111120	CALIPER ASSY.		1	
32	---	PIN BOLT A		1	N9321550
33	---	SPRING PAD		1	"
34	---	PIN HANGER		1	"
35	---	INNER HEX NUT		1	N9321570
36	---	PAD COMP. INNER		1	N9111300
37	---	PAD COMP. OUTER		1	"
38	U2200010	HEX FLANGE BOLT M8x27		1	
39	---	SPRING WASHER		1	N9321570
40	---	PIN BOLT B		1	N9321550
42	---	PISTON CALIPER		1	"
42	---	BUSH BOOT PIN		1	"
43	---	BRKT COMP. FRONT		1	N9321570
44	---	DUST SEAL 1		4	N9321550
45	---	DUST SEAL 2		2	"





## TVS FLAME PAINTED PART NUMBERS

### BLACK RED



SI. NO.	PART NO.	DESCRIPTION
1	N42200102H	FENDER FRONT RED
2	N42201302H	HOUSING HEADLAMP FRONT RED
3	N42203692H	COVER FUEL TANK CENTER RED
4	N42203392H	COVER FUEL TANK INNER RH RED
5	N42203292H	COVER FUEL TANK INNER LH RED
6	N42203102H	COVER FUEL TANK RH RED
7	N42203002H	COVER FUEL TANK LH RED
8	N41400204D	TANK COMP FUEL BLACK
9	N42204307D	COVER FRAME BOTTOM RH T. GREY
10	N42204207D	COVER FRAME BOTTOM LH T. GREY
11	N42201005D	COVER FRAME RH BLACK
12	N42200905D	COVER FRAME LH BLACK
13	N42206304D	COVER SEAT TAIL ASSY BLACK
14	N42207892H	ENGINE GUARD RED
15	N4210720	TAPE SET RED

### BLACK SILVER



SI. NO.	PART NO.	DESCRIPTION
1	N4220010C	FENDER FRONT SILVER
2	N4220130C	HOUSING HEADLAMP FRONT SILVER
3	N4220369C	COVER FUEL TANK CENTER SILVER
4	N4220339C	COVER FUEL TANK INNER RH SILVER
5	N4220329C	COVER FUEL TANK INNER LH SILVER
6	N4220310C	COVER FUEL TANK RH SILVER
7	N4220300C	COVER FUEL TANK LH SILVER
8	N41400204DA	TANK COMP FUEL BLACK
9	N42204307D	COVER FRAME BOTTOM RH T. GREY
10	N42204207D	COVER FRAME BOTTOM LH T. GREY
11	N42201005D	COVER FRAME RH BLACK
12	N42200905D	COVER FRAME LH BLACK
13	N42206304DA	COVER SEAT TAIL ASSY BLACK
14	N4220789C	ENGINE GUARD SILVER
15	N4210460	TAPE SET SILVER